

## Microstrip Dual Junction Circulator

Part Number: KTMC-1502AS37

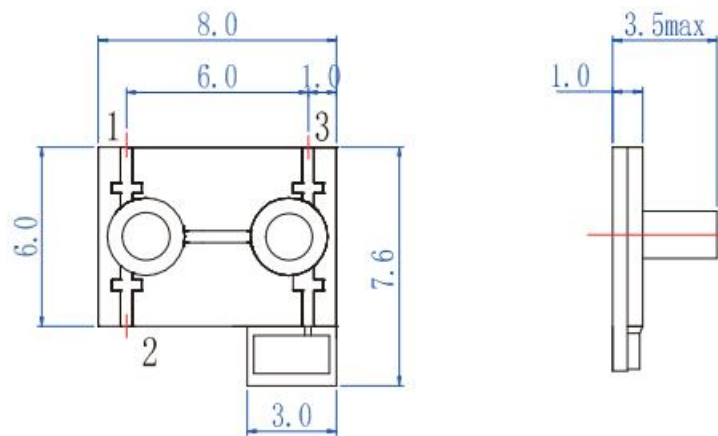
### Key Features

- Frequency Range: 15GHz-17GHz
- Good Consistency
- Small Size, High Precision
- High Isolation, Low Insertion Loss
- Wide Operating Temperature Range: -55°C~+85°C
- Widely Used in Various Millimeter Wave Radar & TR Components

### Electrical Specifications at Room (25°C±5°C) Temperature

Part Number	Freq. Range (GHz)	Bandwidth Max. (MHz)	Insertion Loss Max. (dB)	Isolation Min. (dB)	VSWR Max.	Forward Power (W)	Connector Type
KTMC-1502AS37	12 - 18	full	0.9(1→2) 1.8(2→3)	14(2→1) 28(3→2)	1.30	10	GWB

### Mechanical Dimensions (mm)



### HOW TO ORDER

